



A Maxcess  
International  
Company

# Polaris Web Guide Controller

**N**ow you can have better web guide control that's easier to use, with the same level of performance that you've grown accustomed to with Fife. Polaris is simple and easy to operate, with only eight keys and the ability to display four lines of text in a package that is flexible and easy to mount. Simply put, this is the easiest and most intuitive controller we've ever created. That's why we named it for the guiding star, Polaris. At Fife we're designing products that help you run faster, smarter and better.



KEY FEATURES

## SPECS

### General Specifications

**Product certification:**

UL / cUL / CE

**Protection class:**

IP-54

**Weight:**

1.6 Kg (3.5 lbs)

**Operating ambient temperature:**

0 to 50° C (32 to 122° F)

**Power consumption:**

130 VA

**Input line frequency:**

47-63 Hz

**Maximum actuator output:**

39 W at 30 V

**Parallel port:**

6 digital inputs, 2 open collector outputs

**Universal input line voltage range:**

100 VAC -10% to 240 VAC +10%

**Sensor input:**

2 independent Edge Sensors or 1 Line Sensor (SE-26A)  
Max input  $\pm 20$  mA, 0 to 10 mA (preferred)

**Supply to accessories:**

+12 V  $\pm 5\%$ , 400 mA, -12 V  $\pm 5\%$ , 150 mA

**Internal fuse:**

3.15 A

**Servo Center:**

Analog Inductive

**Keypad layout:**

- 8 membrane keys

- Auto, Manual, Servo-Center - Basic Functions

- Sensor key to select Left Edge, Right Edge, Center Line, Line Guide

- Setup key for Auto Setup, Transparency Setup (opacity), Guide Point Adjustment, System and Servo-Center Gain Adjustment

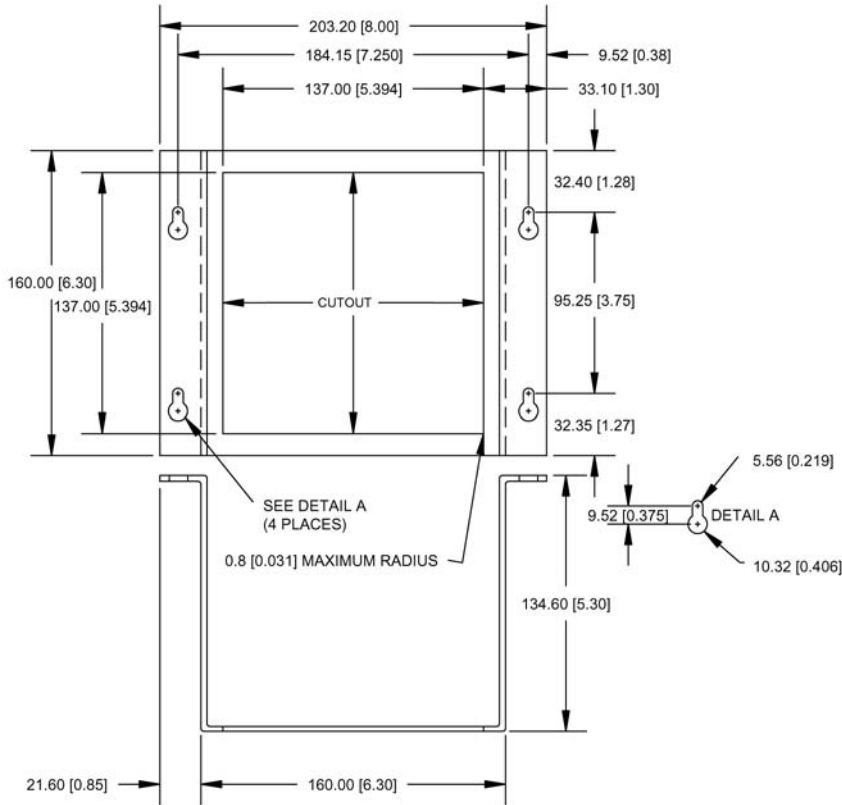
- Jog Left (- key), Jog Right (+ key)

- Enter key to complete function / setup or manual key to cancel

### Key Features:

- User-friendly keypad – eliminates confusion for end users or internal operators
- LCD readout – ease of use for the operator, less potential downtime
- Intuitive menu layout – less confusion for operators / less potential downtime
- Auto setup – no guessing on optimal performance settings, quick setups
- Parallel input – easy discrete (hard-wired) connectivity to PLC
- High dynamic response – guaranteed Fife performance
- 100% backwards compatibility with CDP-01 and DP-01 – no cabling to change
- Small form factor is easily integrated into a machine panel (bezel mount)

General Application



Polaris with wall mount bracket  
All dimensions shown in millimeters (inches)

Complementary Products:

FIFE

- Guiding Products & Systems
  - SE-26 Line Guide Sensor
  - Offset Pivot Guides
  - KAMBEROLLER® Guides

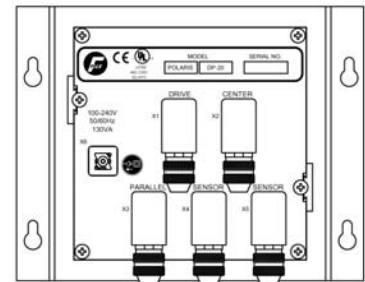
Inspection Products & Systems

TIDLAND

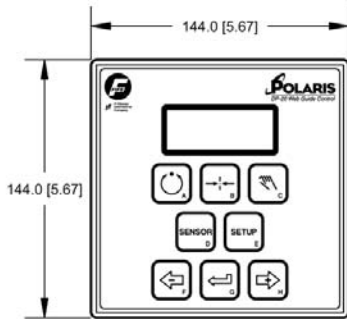
- Slitting Products & Systems
- Winding Products

MAGPOWR

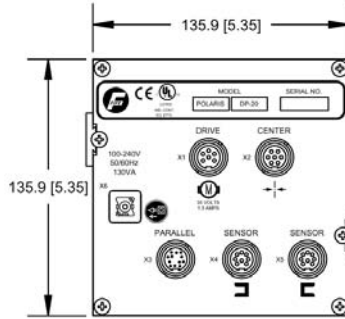
- Tension Control Products
- Torque Control Products



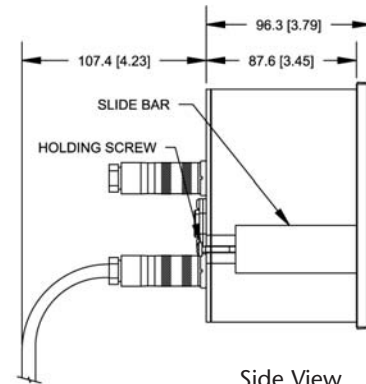
Rear View Bracket Assembly  
(Shown with 90 degree connectors)



Front View



Rear View  
(Shown without connectors)



Side View  
(Shown with cable max bend radius)



**Fife Corporation**  
222 West Memorial Road  
Oklahoma City, OK 73114, USA  
Phone: 405-755-1600  
Fax: 405-755-8425  
E-mail: fife@fife.com  
Web: www.fife.com

**Fife-Tidland GmbH**  
Fifestrasse 1, D-65779  
Kelkheim/Ts., Germany  
Phone: (49) 6195-7002-0  
Fax: (49) 6195-7002-933  
E-mail: info@maxcess.eu

**Maxcess Asia**  
300 Orchard Road, No. 15-05  
Orchard Towers  
Singapore 238875  
Phone: (65) 6834-1998  
Fax: (65) 6835-4818  
E-mail: asia@maxcessintl.com



MAXCESS INTERNATIONAL COMPANIES



GUIDING · INSPECTION  
1-800-639-3433  
(405) 755-1600



TENSION CONTROL  
1-800-MAGPOWR  
(405) 755-1600



SLITTING · WINDING  
1-800-426-1000  
(360) 834-2345