



A Maxcess
International
Company

SE-31 Mini-Ultrasonic Sensor



KEY FEATURES

Key Features:

- Compact, versatile sensor will sense the thinnest and clearest films, as well as most opaque webs.
- Immune to web plane changes and unaffected by optical variation or ambient light, including sunlight.
- Will not affect photosensitive paper/film.
- No special sensor orientation is required to avoid the effect of standing waves.
- Closed face transducer – splash proof.
- Compatible with all Fife controllers.
- Standard sensing gap of either 1" (25.4 mm) or 2" (50.8 mm), Control range: 0.3" (7.62 mm).
- Flexible mounting and positioning assemblies ensure quick and easy installation.
- Electrostatic discharge protected.

Our smallest ultrasonic sensor, the SE-31 is ideal for guiding both clear and opaque materials. This temperature stabilized sensor is unaffected by optical variation or ambient light, eliminating the need for multiple sensors, and increasing productivity.

The SE-31 has a control range of 0.3" (7.63 mm), and a sensing gap of either 1" (25.4 mm) or 2" (50.8 mm). Improved circuitry reduces the effect of standing waves and temperature variations, which improves the overall operational performance of this sensor.

SPECS

General Specifications

Part Number:
SE-31 Mini-Ultrasonic Sensor

Linearity:
5% nominal maximum error

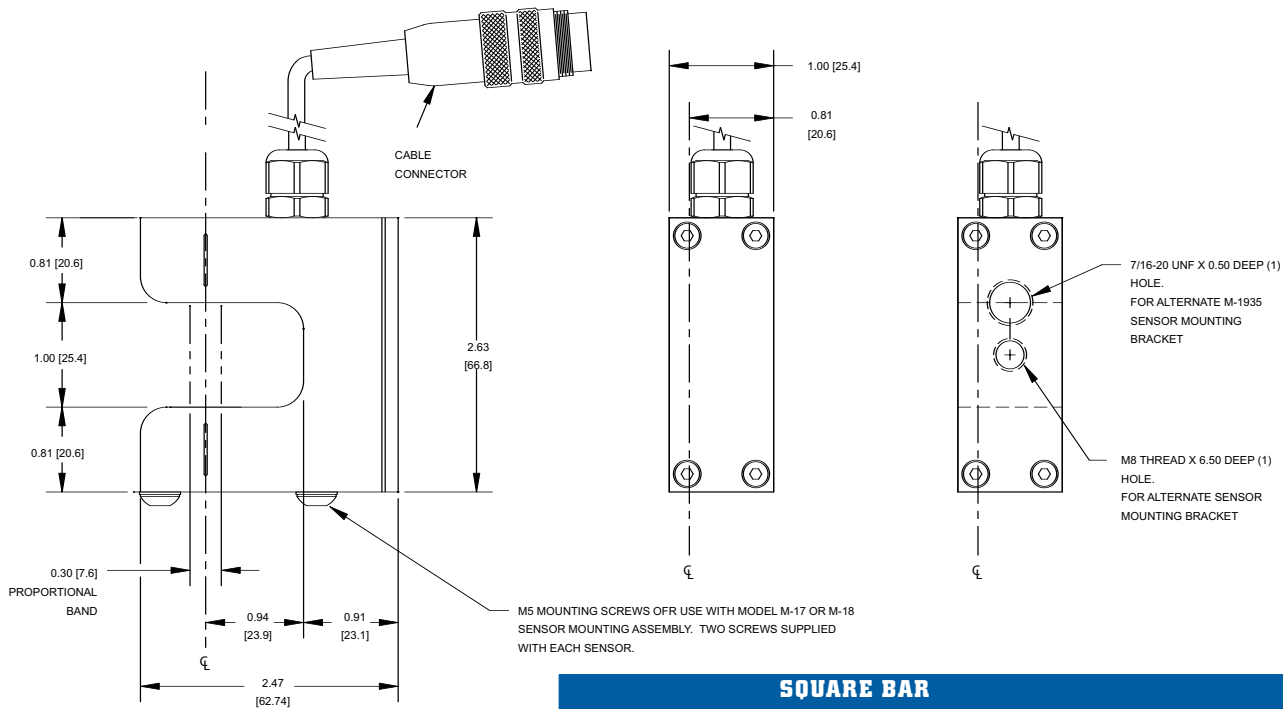
Plane Change:
5% nominal maximum error

Power Required:
10 to 15 VDC

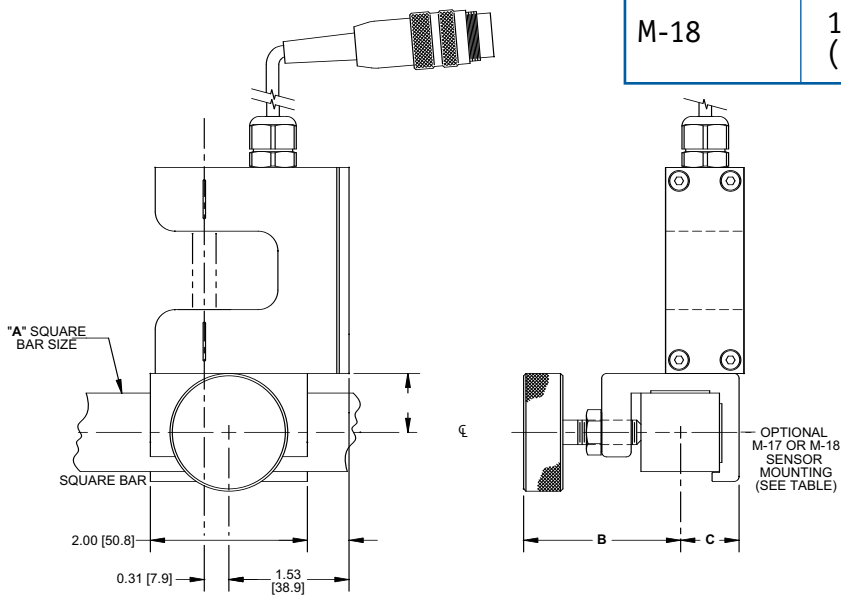
Output Signal:
0 to 10 mA

Weight:
6 ounces (168 grams)

Temperature Range:
41° to 140° F (5° to 60° C)



SQUARE BAR				
SENSOR MOUNTING	A SIZE	MAXIMUM LENGTH	B	C
M-17	0.75 (19)	60.00 (1524)	1.50 (38)	0.63 (16)
M-18	1.00 (25)	86.00 (2184)	2.0 (51)	0.75 (19)



(Dimensions shown in parenthesis are in millimeters.)



Fife Corporation
222 West Memorial Road
Oklahoma City, OK 73114, USA
Phone: 405-755-1600
Fax: 405-755-8425
E-mail: fife@fife.com
Web: www.fife.com

Maxcess Europe
Fifestrasse 1, D-65779
Kelkheim/Ts., Germany
Phone: (49) 6195-7002-433
Fax: (49) 6195-7002-933
E-mail: info@maxcess.de

Maxcess Asia
300 Orchard Road, No. 15-05
Orchard Towers
Singapore 238875
Phone: (65) 6834-1998
Fax: (65) 6835-4818
E-mail: jwongmax@singnet.com.sg



MAXCESS INTERNATIONAL COMPANIES



GUIDING · INSPECTION
1-800-639-3433
(405) 755-1600



TENSION CONTROL
1-800-MAGPOWR
(405) 755-1600



SLITTING · WINDING
1-800-426-1000
(360) 834-2345